

OPERATION AND INSTALLATION MANUAL GUÍA DE OPERACIÓN E INSTALACIÓN MODE D'EMPLOI ET MANUEL D'INSTALLATION

TOUCHLESS AUTOMATIC HIGH-SPEED HAND DRYERS
SECADORES DE MANO DE ALTA VELOCIDAD SIN CONTACTO
SÉCHOIRS DE MAIN SANS CONTACT AUTOMATIQUES ET ULTRA RAPIDES

- » ULTRONIC™ 1 S
- » ULTRONIC™ 1 W
- » ULTRONIC™ 2 S
- » ULTRONIC™ 2 W



STIEBEL ELTRON, Inc.

17 West Street | West Hatfield, MA 01088

Tel. 413-247-3380 | Fax 413-247-3369

Email info@stiebel-eltron-usa.com

www.stiebel-eltron-usa.com

STIEBEL ELTRON

Simply the Best

OPERATION

1. Important instructions	3
1.1 Symbol key	3
1.2 Symbols in this document	3
2. Safety precautions	4
3. Register your product	5
4. Instructions for the end user	5
4.1 General use information	5
4.2 User servicing instructions	5

INSTALLATION

5. Installation instructions for the licensed installer	6
6. Minimum clearances	6
7. Mounting the unit	7
7.1 Recommended mounting heights	7
7.2 Wall mounting	7
8. Electrical connections	8
9. Dimensions	9
10. Technical data	9
11. Warranty	10
12. Environment and recycling	10
13. Wall-mounting template	29

1. Important Instructions

Read this entire manual. Failure to follow all the guides, instructions and rules could cause personal injury or property damage. Improper installation, adjustment, alteration, service and use of this unit can result in serious injury.

This unit must be installed by a licensed electrician and plumber. The installation must comply with all national, state and local electric codes. Proper installation is the responsibility of the installer. Failure to comply with the installation and operating instructions or improper use voids the warranty.

- Save these instructions for future reference. Installer should leave these instructions with the consumer.

If you have any questions regarding the installation, use or operation of this hand dryer, or if you need any additional installation manuals, please call our technical service line at 800-582-8423 (USA and Canada only). If you are calling from outside the USA or Canada, please call USA 413-247-3380 and we will refer you to a qualified Stiebel Eltron service representative in your area.



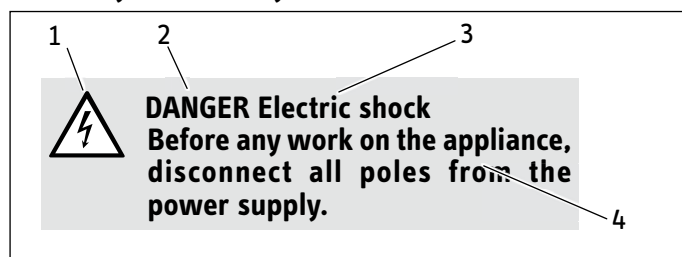
This is the safety alert symbol. It is used to alert you to potential personal injury hazard. Obey all safety messages that follow this symbol to avoid possible injury or death.

The chapter **Operation** is intended for homeowners, heating contractors, plumbers and electricians.

The chapter **Installation** is intended for heating contractors, plumbers and electricians only.

1.1 Symbol key

1.1.1 Layout of safety information



- 1 Symbol (see 1.1.2 "Symbols")
- 2 Keyword (see 1.1.3 "Keywords")
- 3 Designations (see 1.1.2 "Symbols")
- 4 Information text

1.1.2 Symbols

Symbol	Description
	Injury
	Electrocution
	Burns or scalding
	Other situations

1.1.3 Keywords

KEYWORD	Description
DANGER	The keyword DANGER indicates information that must be observed, otherwise serious injury or death will result.
WARNING	The keyword WARNING indicates information that must be observed, otherwise serious injury or death may result.
CAUTION	The keyword CAUTION indicates information that must be observed, otherwise relatively serious or light injuries may result.

1.2 Symbols in this document


- This symbol (►) indicates that you must do something. The necessary actions are indicated in a step-by-step fashion.



General Information
This is the general information icon.

- Please read and pay careful attention to all general information notes.

2. Safety precautions


 Please read and follow these instructions. Failure to follow these instructions could result in serious bodily injury or death.


There are no user-servicable parts. Service of the unit must be performed by qualified service technicians.


WARNING – TO REDUCE THE RISK OF FIRE, ELECTRIC SHOCK, OR INJURY TO PERSONS, OBSERVE THE FOLLOWING:


a) Use the unit only in the manner intended by the manufacturer. If you have questions, contact the manufacturer.


b) Before servicing or cleaning the unit, switch power off at service panel and lock the service disconnecting means to prevent power from being switched on accidentally. When the service disconnecting means cannot be locked, securely fasten a prominent warning device, such as a tag, to the service panel.

 **WARNING** To reduce the risk of fire, or electric shock, do not use this hand dryer with any solid state speed control device.

 **DANGER Electrocutation** Before proceeding with any installation, adjustment, alteration, or service of this unit all circuit breakers and disconnect switches servicing the unit must be turned off. Failure to do so could result in serious personal injury or death.

 **DANGER Electrocutation** Never remove the unit's cover unless the electricity servicing the unit is turned off. Failure to do so could result in serious personal injury or death.

 **DANGER Electrocutation:** The unit must be properly grounded. Failure to electrically ground the product could result in serious personal injury or death.

 **WARNING Injury** Where children or persons with limited physical, sensory or mental capabilities are allowed to control this appliance, ensure that this will only happen under supervision or after appropriate instructions by a person responsible for their safety. Children must be supervised to ensure that they never play with the appliance.

 **WARNING Fire** Never operate this appliance ...

-if the minimum clearances to adjacent object surfaces are not maintained, for example to furniture, net curtains, curtains, textiles or other flammable materials (for minimum clearances, see specification/dimensions chapter).

- in rooms where the appliance is at risk from fire or explosion as a result of chemicals, dust, gases or vapors.

- in the direct proximity of pipes or containers that carry or contain flammable or explosive materials.

- if work such as laying cables, grinding or sealing is carried out in the installation room.

- if sprays, floor polish or similar products containing petroleum are used. Vent the room sufficiently before using unit.

- if an appliance component is damaged, the appliance has fallen over or already had a fault.

3. Register your product



You must register this product within 90 days of purchase on our website in order to activate the standard warranty or to be eligible for the extended warranty. Go to our web site at: www.stiebel-eltron-usa.com and click on register your product.

Before beginning the registration process, we suggest that you gather the necessary information which will be as follows:

Type, Example: Ultronic 1 S (from the black label that is on the bottom of the unit)

Number listed after "Nr.:"

Place of Purchase

Purchase Date

First & Last Name

Email address

Physical Address

Phone Number

IF YOU HAVE ANY QUESTIONS CONCERNING THE REGISTRATION PROCESS OR WARRANTY OPTIONS, PLEASE CONTACT STIEBEL ELTRON USA DIRECTLY AT (800)-582-8423.

Limited liability warranty:

Stiebel Eltron, Inc. is not liable for damages to the unit, damage to personal property, bodily injury, or loss of life due to the following conditions:

- Non-observance of these instructions
- Incorrect use
- Installation of the appliance by unqualified personnel
- Unauthorized modifications
- Technical modifications
- Use of unauthorized spare parts

4. Instructions for the end user

4.1 General use information

In order to dry your hands most efficiently, please use the following procedure:

- ▶ Shake off excess water over the wash basin
- ▶ Place hands underneath the unit at a distance of 4" - 7"
- ▶ Rub your hands together as if you were washing them

Your hands will be dry in approximately 15 seconds.

The Stiebel Eltron Ultronic series hand dryers are equipped with an infrared sensor switch. This sensor will activate the unit when hands are placed underneath it. Approximately 7 seconds after the hands have been removed, the unit will automatically shut off.

The sensor is the black rectangle located underneath the unit between the air exit and air inlet grills. The sensor switch will not work properly if it has been covered by gum or dirt. If the sensor is obstructed, the hand dryer will switch off automatically to prevent it from running continuously.

4.2 User servicing instructions




The Ultronic hand dryer does not contain any parts serviceable by the lay person. In case of malfunction please contact a licensed electrician.



CAUTION Fire
Never spray cleaning spray into the air slot.
Ensure that no moisture can enter the appliance.


To clean the housing use a soft cloth with a mild detergent if necessary. Never use any abrasive cleaners since they will scratch the finish of the unit. Never spray water or cleaning fluids directly on hand dryer. While cleaning the unit, make sure the electric eye switch is not covered.


5. Installation instructions for the licensed installer

 **WARNING: TO REDUCE THE RISK OF FIRE, ELECTRIC SHOCK OR INJURY TO PERSONS, OBSERVE THE FOLLOWING:**

a) Installation work and electrical wiring must be done by qualified person(s) in accordance with all applicable codes and standards, including fire-rated construction.

b) When cutting or drilling into wall or ceiling, do not damage electrical wiring and other hidden utilities.

 **DANGER Electrocutation**
Before proceeding with any installation, adjustment, alteration, or service of this unit all circuit breakers and disconnect switches servicing the unit must be turned off. Failure to do so could result in serious personal injury or death.


 **WARNING Electrocutation**
Do not install unit where it can accidentally be splashed with water, failure to do so could result in serious personal injury or death.

 All electrical work must comply with national and applicable state and local electrical codes.

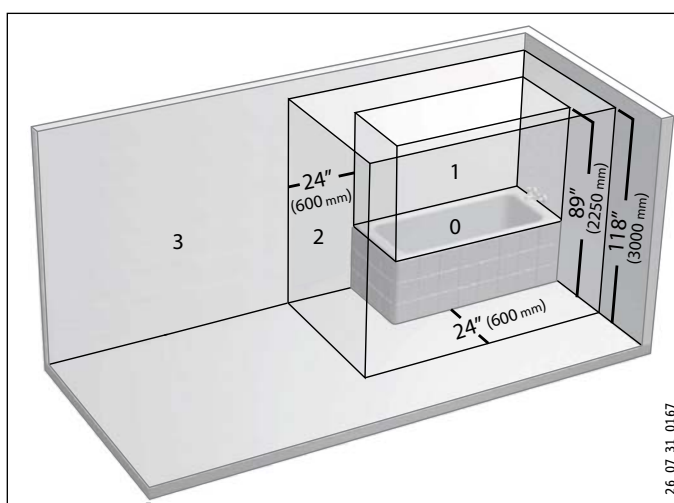
The circuit should be equipped with a “ground fault interrupter” where required by local, state or national electrical codes.

The Ultronic hand dryer must have its own independent circuit using cable of the appropriate size protected by a correctly rated circuit breaker. The Ultronic 1 S/W units are designed for 110-120 Volt electrical service and require a 15 amp circuit breaker and a #14 gauge copper wire. The Ultronic 2 S/W units are designed for 220-240 V or 208 V electrical service and require a 15 amp circuit breaker and a #14 gauge copper wire.

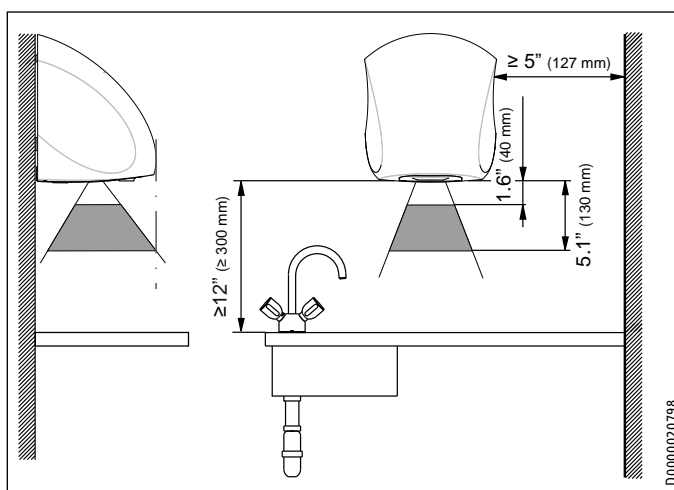
6. Minimum clearances

 **WARNING Electrocutation**
Do not install unit where it can accidentally be splashed with water. Observe all minimum clearance requirements. Failure to do so could result in serious personal injury or death.

Do not install the hand dryer in DANGER ZONES 0, 1, or 2 (see upper right diagram). Doing so may allow the unit to be splashed with water which could result in serious personal injury or death.



- 0 DANGER ZONE: do not install unit in bathtubs showers, or wash basins.
- 1 DANGER ZONE: do not install directly above bathtubs or showers.
- 2 DANGER ZONE: do not install within 24" of bathtubs or showers
- 3 SAFE AREA: unit must be installed in this area, outside of DANGER ZONES 2, 1 and 0.



- Before mounting the unit to the wall, ensure all minimum distances are met for safety and performance considerations.







INSTALLATION

MOUNTING THE UNIT

- ▶ The unit must be installed at least 5" from perpendicular walls.
- ▶ The unit must be installed at least 12" above countertops to avoid splashing the unit.
- ▶ Ensure the air outlet is not obstructed

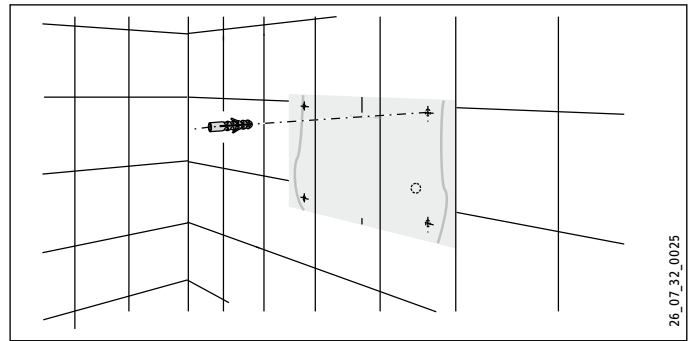
7. Mounting the unit

7.1 Recommended mounting heights

Age	Age	Height
		
Adult man		54" (1350 mm)
		
Adult woman		48" (1250 mm)
		
Preschool / kindergarten	3 - 5	32" (810 mm)
		
Elementary school	6 - 10	36" (910 mm)
		
Middle school	10 - 13	44" (1120 mm)
		
High school	13 - 18	48" (1250 mm)

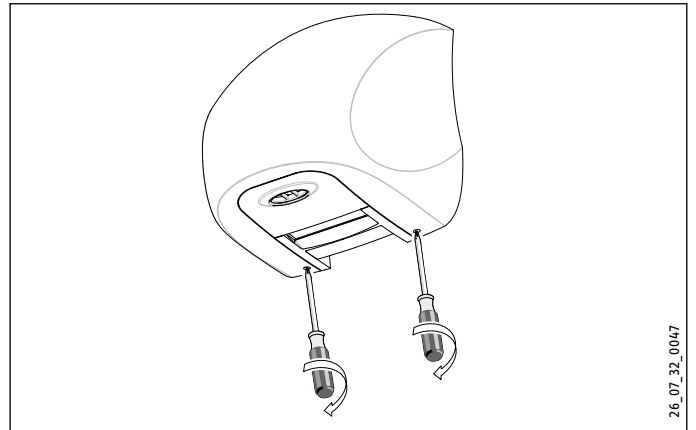
7.2 Wall mounting

- ▶ Transfer the four mounting points to the wall by using the enclosed drilling template and drill mounting holes (see drawing, upper right).



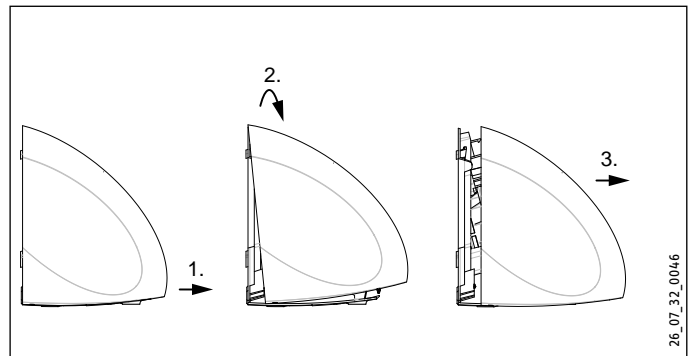
26_07_32_0025

- ▶ Rotate the 2 lock screws one turn clockwise until they come to a full stop.

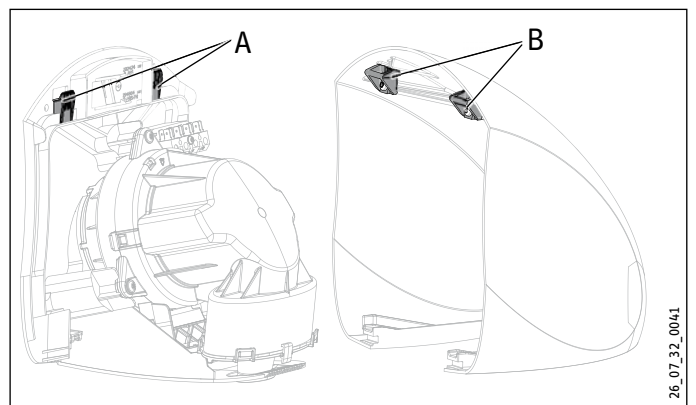


26_07_32_0047

- ▶ Remove the housing by gently lifting upward from the bottom. This will allow the hooks to disengage from the attachment eyelets (see A, B, below). Once the hooks have detached, pull the cover gently forward to remove it.



26_07_32_0046



26_07_32_0041

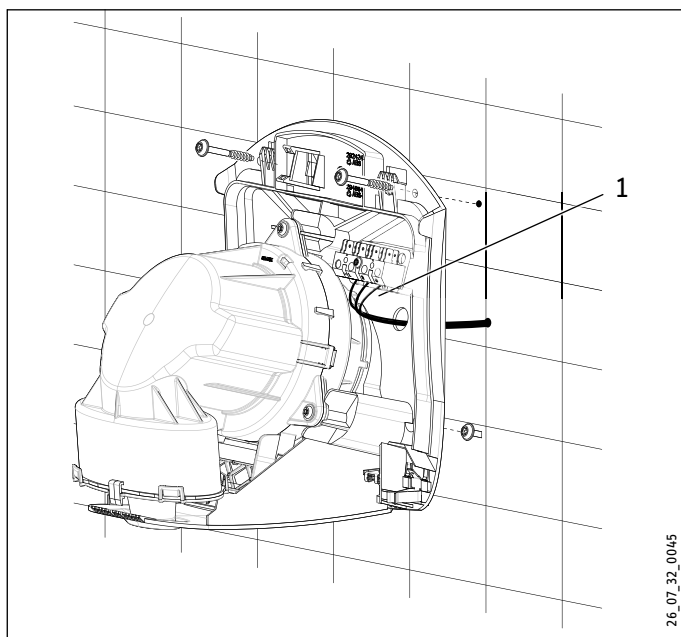
A) Hooks

B) Attachment eyelets

INSTALLATION

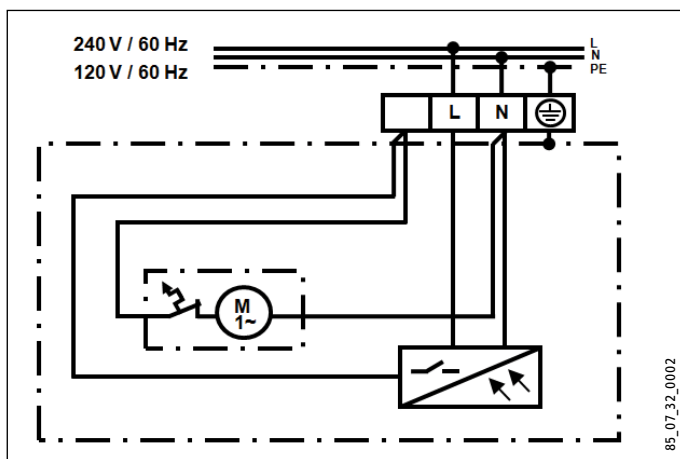
ELECTRICAL CONNECTIONS

8. Electrical connections

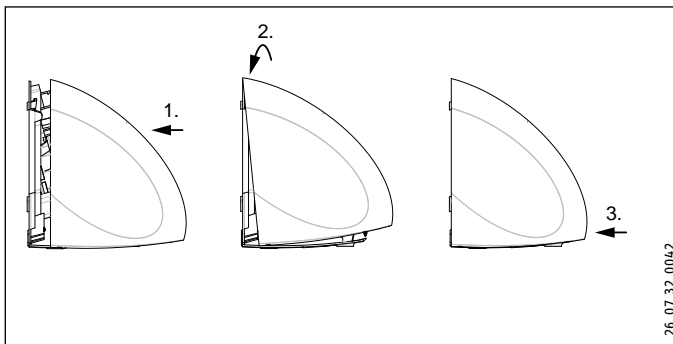


1 Wiring block

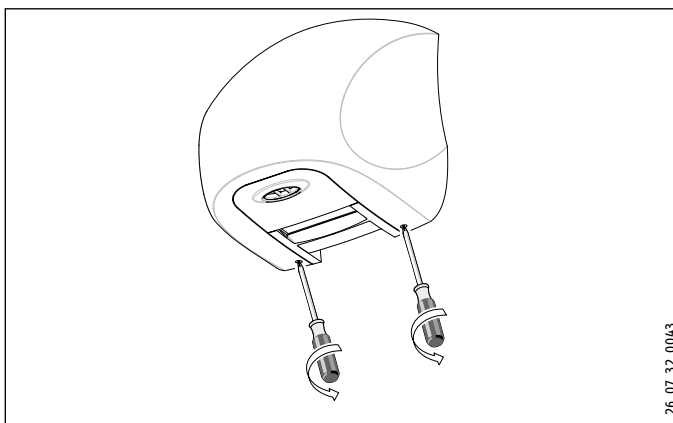
- ▶ Install a 1/2" electrical connector in the back part of housing in the hole located below the wiring block (1, above).
- ▶ Feed wires through connector; tighten clamp down on wire.
- ▶ The "live" wires must be connected to the slots on the terminal marked N/L and L. The ground wire must be connected to the slot on the terminal marked with the ground symbol.



- ▶ Put the housing back onto the front of the unit.
- ▶ Lift upward to reengage the hooks into the attachment eyelets.
- ▶ Press the housing down gently so it locks in place.

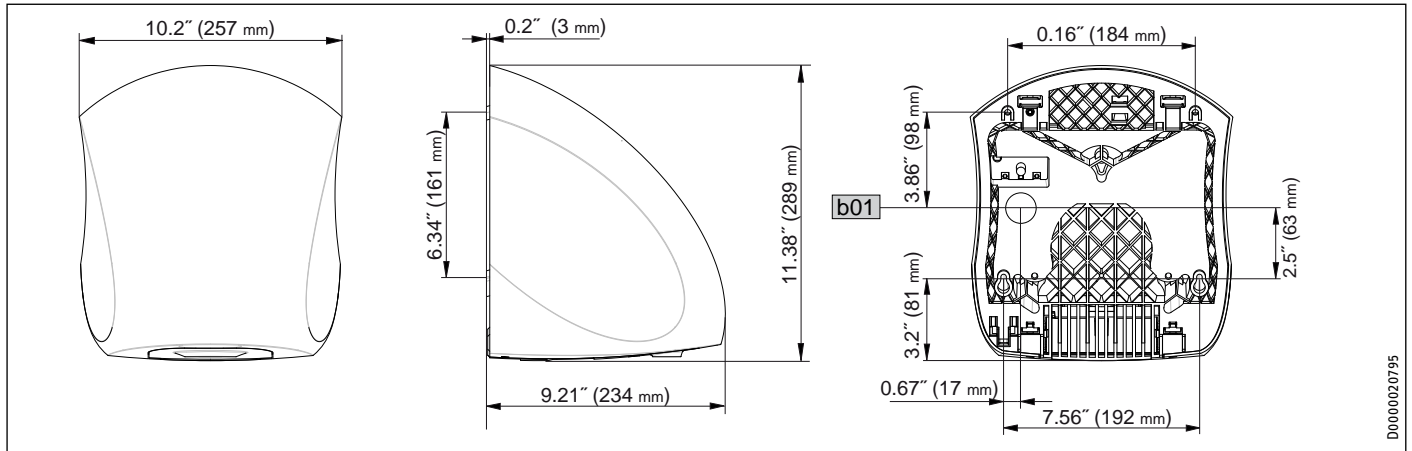


- ▶ Turn the two screws a full turn counterclockwise to stop.



INSTALLATION DIMENSIONS

9. Dimensions



10. Technical data

Model No.	Ultronic™ 1 S	Ultronic™ 1 W	Ultronic™ 2 S	Ultronic™ 2 W
Item no.	231584	231585	231586	231587
Electrical Data				
Phase	single	single	single	single
Voltage	120 v	120 v	208 v 240 v	208 v 240 v
Wattage	985 w	985 w	775 w 1000 w	775 w 1000 w
Amperage	8.5 A	8.5 A	3.85 A 4.3 A	3.85 A 4.3 A
Minimum required circuit breaker size	15 A			
Min. required wire size	#14 AWG copper			
Dimensions				
Height	11.4" / 289 mm			
Width	10.1" / 257 mm			
Depth	9.2" / 234 mm			
Weight				
Weight	9.7 lb. / 4.4 kg			
Construction				
Color	Stainless steel	Alpine white	Stainless steel	Alpine white
Housing	aluminum			
Degree of protection (IP)	IP 23			
Safety class system	I			
Other				
Sound level	82 dB(A)			
Air speed	210 mph / 94 m/s			
Air volume	170.7 CFM / 190 m³/h			
Drying time	15 seconds			

11. Warranty

RESIDENTIAL & COMMERCIAL WARRANTY: STIEBEL ELTRON WARRANTS TO THE ORIGINAL OWNER THAT THE ULTRONIC SERIES TOUCHLESS AUTOMATIC HAND DRYER WILL BE FREE FROM DEFECTS IN WORKMANSHIP AND MATERIALS FOR A PERIOD OF THREE (3) YEARS FROM THE DATE OF PURCHASE. SHOULD THE PART(S) PROVE TO BE DEFECTIVE UNDER NORMAL USE DURING THIS PERIOD, STIEBEL ELTRON, INC. WILL BE RESPONSIBLE FOR REPLACEMENT OF THE DEFECTIVE PART(S) ONLY. STIEBEL ELTRON, INC. IS NOT RESPONSIBLE FOR LABOR CHARGES TO REMOVE AND/OR REPLACE THE DEFECTIVE PART(S), OR ANY INCIDENTAL OR CONSEQUENTIAL EXPENSES.

SHOULD THE OWNER WISH TO RETURN THE HAND DRYER FOR REPAIR, THE OWNER MUST FIRST SECURE WRITTEN AUTHORIZATION FROM STIEBEL ELTRON, INC. THE OWNER SHALL BE REQUIRED TO SHOW PROOF OF PURCHASE DATE, AND TO PAY ALL TRANSPORTATION COSTS TO RETURN THE DEFECTIVE PART(S) OR HAND DRYER FOR REPAIR OR REPLACEMENT. WARRANTY IS VOID IF HAND DRYER HAS BEEN INSTALLED OR USED IMPROPERLY OR IF DESIGN HAS BEEN ALTERED IN ANY WAY.

STIEBEL ELTRON, INC.
17 West Street
West Hatfield, MA 01088, USA
PHONE: 800-582-8423 or 413-247-3380
FAX: 413-247-3369
E-Mail info@stiebel-eltron-usa.com
www.stiebel-eltron-usa.com

12. Environment and recycling

Please help us protect the environment. Dispose of the appliance and its packaging in accordance with national regulations.

STIEBEL ELTRON, INC.
17 West Street
West Hatfield, MA 01088, USA
PHONE: 800-582-8423 or 413-247-3380
FAX: 413-247-3369
E-Mail info@stiebel-eltron-usa.com
www.stiebel-eltron-usa.com

OPERACIÓN

1.	Instrucciones importantes	12
1.1	Leyenda de símbolos	12
1.2	Símbolos en este documento	12
2.	Precauciones de seguridad	13
3.	Registre su producto	13
4.	Instrucciones para el consumidor final	14
4.1	Información para el uso general	14
4.2	Instrucciones de mantenimiento para el usuario	14

INSTALACIÓN

5.	Instrucciones de instalación para el instalador con licencia	15
6.	Distancias mínimas	15
7.	Montar la unidad	16
7.1	Alturas de montaje recomendadas	16
7.2	Montaje en pared	16
8.	Conexiones eléctricas	17
9.	Dimensiones	18
10.	Datos técnicos	18
11.	Garantía	19
12.	Ambiente y reciclaje	19
13.	Modelo para el montaje en pared	29


1. Instrucciones importantes

Lea este manual en su totalidad. El incumplimiento de todos los guías, instrucciones y reglamentos podría causar lesiones personales o daños materiales. La instalación, ajuste, modificación, reparación y uso inapropiado de esta unidad puede resultar en lesiones graves.

Esta unidad debe ser instalada por un electricista y plomero autorizado. La instalación debe cumplir con todos los códigos nacionales, estatales y locales eléctricos. La instalación apropiada es la responsabilidad del instalador. El incumplimiento de las instrucciones de instalación y operación anulará la garantía.

- Guarde estas instrucciones para referencia futura. El instalador debe dejar estas instrucciones con el consumidor.

Si usted tiene alguna pregunta acerca de la instalación, uso o funcionamiento de este secador de manos, o si necesita cualquier manual de instalación adicionales, por favor llame a nuestra línea de servicio técnico al 800-582-8423 (EE.UU. y Canadá). Si llama desde fuera de los EE.UU. o Canadá, llame al 413-247-3380 (EE.UU) y le dirigiremos a un técnico de servicio cualificado de Stiebel Eltron en su área.

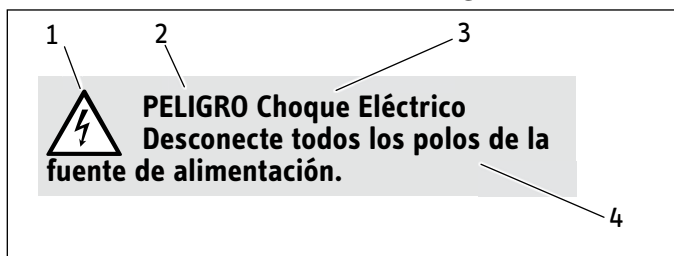
 Este es el símbolo de alerta de seguridad. se utiliza para alertar de posibles riesgos de lesiones personales. Obedezca todos los mensajes que le siguen a este símbolo para evitar posibles lesiones o la muerte.

El capítulo **Operación** va dirigido a los propietarios de viviendas, contratistas de calefacción, plomeros y electricistas.

El capítulo **Instalación** va dirigido a los contratistas de calefacción, plomeros y electricistas solamente.





1.1 Leyenda de símbolos

1.1.1 Formato de Información de Seguridad



- 1 Símbolo (vea 1.1.2 "Símbolos")
- 2 Palabra clave (vea 1.1.3 "Palabras clave")
- 3 Designaciones (vea 1.1.2 "Símbolos")
- 4 Texto de información

1.1.2 Símbolos

Símbolo	Description
	Lesion
	Electrocución
	Quemaduras / Escaldadas
	Otras situaciones

1.1.3 Palabras clave

Palabra clave	
PELIGRO	La palabra clave PELIGRO indica Información que debe ser observada, de otro modo, puede resultar en lesiones graves o muerte.
ADVERTENCIA	The keyword WARNING indicates information that must be observed, otherwise serious injury or death may result.
PRECAUCIÓN	La palabra clave PRECAUCIÓN indica información que debe ser observada, de otro modo, puede resultar en lesiones serias o leves.

1.2 Símbolos en este documento

- Este símbolo (►) indica que debes hacer algo. Las acciones necesarias están indicadas de paso a paso.

INFORMACIÓN GENERAL

PRECAUCIONES DE SEGURIDAD



Información general

Este es el ícono de información general.

- ▶ Por favor lea y preste mucha atención a todas las notas de información general.

2. Precauciones de seguridad



Por favor, lea y siga estas instrucciones. El incumplimiento de estas instrucciones podría resultar en lesiones corporales graves o la muerte.

No hay piezas que el usuario pueda reparar. El servicio de la unidad debe ser realizado por técnicos cualificados.

ADVERTENCIA - PARA REDUCIR EL RIESGO DE INCENDIOS, DESCARGAS ELÉCTRICAS O LESIONES PERSONALES, CUMPLA CON LO SIGUIENTE:

a) Utilice la unidad sólo en la forma prevista por el fabricante. Si tiene preguntas, póngase en contacto con el fabricante.

b) Antes de reparar o limpiar la unidad, apague el interruptor en el panel de servicio y bloquee los medios de desconexión para evitar que se encienda accidentalmente. Cuando los medios de desconexión no se pueden bloquear, coloque un dispositivo de advertencia prominente, tal como una etiqueta, en el panel de servicio.



ADVERTENCIA

Para reducir el riesgo de incendio o una descarga eléctrica, no utilice esta secadora de manos con cualquier dispositivo de control de velocidad de estado sólido.



PELIGRO Electrocutión

Antes de proceder con cualquier instalación, ajuste, alteración, o servicio de esta unidad, todos los cortacircuitos e interruptores de desconexión deben estar apagados. De lo contrario, podría resultar en lesiones personales graves o la muerte.



PELIGRO Electrocutión

Nunca remueva la tapa de la unidad a menos que la electricidad alimentando la unidad este apagada. De lo contrario, podría resultar en lesiones personales graves o la muerte.



PELIGRO Electrocutión: La unidad debe estar a tierra correctamente. No poner a tierra eléctricamente el producto puede resultar en lesiones personales graves o la muerte.



ADVERTENCIA Lesiones

Cuando los niños o las personas con capacidades físicas, sensoriales o mentales limitadas son permitidas a controlar el aparato, asegúrese de que esto sólo ocurrirá bajo la supervisión adecuada o siguiendo las instrucciones de una persona responsable de su seguridad. Los niños deben ser supervisados para asegurarse de que nunca jueguen con el aparato.



ADVERTENCIA Fuego

Fuego Nunca opere este aparato ...

- Si no se mantienen las distancias mínimas a las superficies de objetos adyacentes, por ejemplo, a los muebles, cortinas, telas u otros materiales inflamables (para las distancias mínimas, consulte el capítulo de especificación / dimensiones).

- En los locales donde el aparato se encuentra en riesgo de incendio o explosión como resultado de productos químicos, polvo, gases o vapores.

- En la proximidad directa de la tubería o contenedores que lleven o contengan materiales inflamables o explosivos.

- Si se utiliza aerosoles, ceras para el piso o productos similares a base de petróleo. Ventile el espacio suficientemente antes de usar la unidad.

- Si un componente del aparato está dañado, el aparato se ha caído o ya tenía un fallo.

3. Registre su producto



Debe registrar este producto en nuestro sitio web dentro de 90 días de la compra para activar la garantía estándar o para ser elegible para la garantía extendida. Vaya a nuestro sitio web a: www.stiebel-eltron-usa.com y haga clic en "register your product".

Antes de comenzar el proceso de registraci3n, le sugerimos que reuna la informaci3n necesaria, tal y como sigue:

Tipo, Ejemplo: Ultronic 1 S (de la etiqueta negra que se encuentra en la parte inferior de la unidad)

Número que aparece después de “Nr.”

Lugar de compra

Fecha de compra

Nombre y apellido

Direcci3n de correo electr3nico

Direcci3n f3sica

Número de tel3fono

SI TIENE ALGUNA PREGUNTA SOBRE EL PROCESO DE REGISTRACI3N O LAS OPCIONES DE GARANTÍA, POR FAVOR CONTACTAR A STIEBEL ELTRON EE.UU. AL (800)-582-8423.

Garantía de responsabilidad limitada:

Stiebel Eltron, inc. no es responsable por daños a la unidad, daños a la propiedad personal, lesiones corporales, o la p3rdida de vida debido a las condiciones siguientes:

- El incumplimiento de estas instrucciones
- El uso incorrecto
- La instalaci3n del aparato por personal no cualificado
- Las modificaciones no autorizadas
- Las modificaciones t3cnicas
- El uso de piezas de repuesta no autorizadas

4. Instrucciones para el consumidor final

4.1 Informaci3n para el uso general

Para secar sus manos de la manera m3s eficiente, por favor siga el siguiente procedimiento:

- ▶ Sacuda el exceso de agua dentro del lavamanos.
- ▶ Ponga sus manos debajo de la unidad a una distancia de 4” - 7”.
- ▶ Frote sus manos juntas como si estuviera lavandose las manos.

Sus manos estar3n secas en aproximadamente 15 segundos.

Las secadores serie Ultronic de Stiebel Eltron est3n equipadas con un interruptor con sensor infrarojo. Este sensor activar3 la unidad cuando se pongan manos por debajo. La unidad se apagar3 autom3ticamente aproximadamente 7 segundos despu3s de que se remuevan las manos.

El sensor es el rect3ngulo negro localizado debajo de la unidad entre las rejillas de entrada y salida de aire. El interruptor de sensor no funcionar3 apropiadamente si ha sido cubierto con goma o sucio. Si el sensor es obstruido, la secadora se apagar3 autom3ticamente para prevenir que corra continuamente.

4.2 Instrucciones de mantenimiento para el usuario




La secadora de manos Ultronic no contiene piezas que puedan ser instaladas por personas sin entrenamiento. En caso de mal funcionamiento, por favor contacte a un electricista con licencia.



PRECAUCI3N Fuego
Nunca roc3e l3quidos de limpieza adentro de la ranura de aire. Aseg3rese de que ninguna humedad pueda entrar el aparato.


Para limpiar la caja, utilice un paño suave con un detergente leve si es necesario. Nunca use limpiadores abrasivos, ya que pueden rayar el acabado de la unidad. Nunca roc3e agua o l3quidos de limpieza directamente sobre la secadora de manos. Al limpiar la unidad, aseg3rese de que el interruptor de ojo el3ctrico no este cubierto.


5. Instrucciones de instalación para el instalador con licencia


 **ADVERTENCIA: PARA REDUCIR EL RIESGO DE INCENDIO, CHOQUE ELÉCTRICO O LESIONES PERSONALES, OBSERVE LO SIGUIENTE:**

a) Los trabajos de instalación y cableado eléctrico deben ser realizados por personal calificado (s) de acuerdo con todos los códigos y normas aplicables, incluyendo la construcción resistente al fuego.

b) Al cortar o perforar la pared o el techo, no dañe el cableado eléctrico ni otros servicios ocultos.

 **PELIGRO Electrocutión**
Antes de proceder con cualquier instalación, ajuste, alteración, o servicio de esta unidad, todos los cortacircuitos e interruptores de desconexión deben estar apagados. De lo contrario, podría resultar en lesiones personales graves o la muerte.


 **ADVERTENCIA Electrocutión**
No instale la unidad donde pueda ser salpicado con agua, ya que podría resultar en lesiones personales graves o la muerte.

 Todos los trabajos eléctricos deben cumplir con los códigos eléctricos estatales y locales nacionales y aplicables.

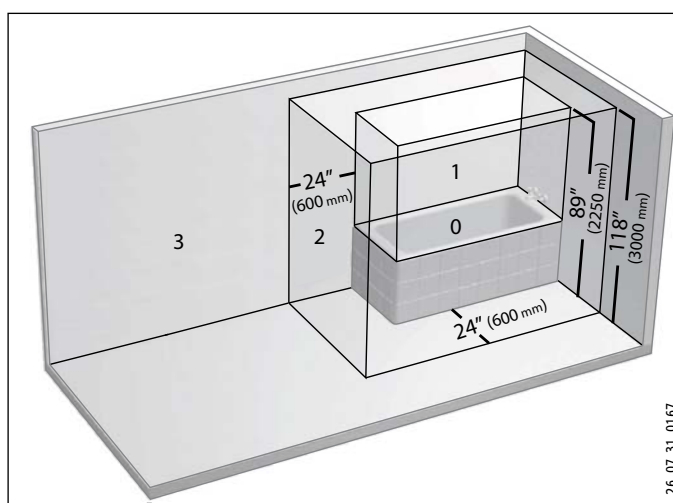
El circuito debe estar equipado con un "interruptor de falla a tierra" cuando sea requerido por los códigos eléctricos locales, estatales o nacionales.

La secadora de manos Ultronic debe tener su propio circuito independiente, utilizando un cable del tamaño apropiado protegido por un cortacircuitos correctamente valorado. Las unidades Ultronic 1 S / W están diseñadas para servicio de energía eléctrica de 110-120 voltios y requieren de un disyuntor de 15 amperios y un alambre de cobre calibre #14. Las unidades Ultronic 2 S / W están diseñadas para servicio de energía eléctrica de 220 a 240 V o 208 V y requieren de un disyuntor de 15 amperios y un alambre de cobre calibre #14.

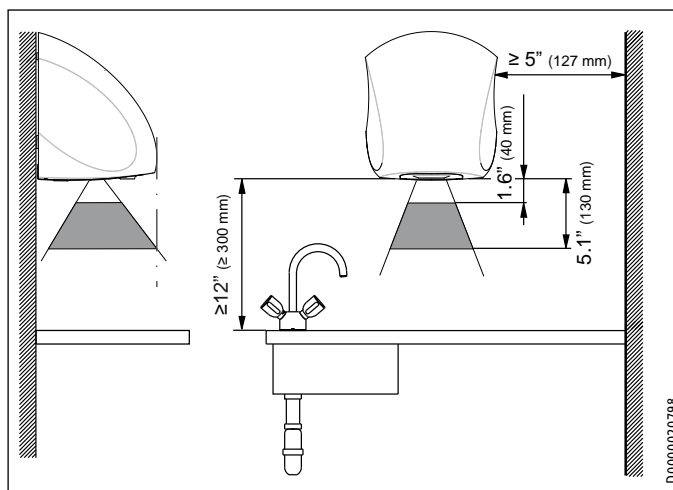
6. Distancias mínimas

 **ADVERTENCIA Electrocutión**
No instale la unidad donde pueda ser salpicado con agua, ya que podría resultar en lesiones personales graves o la muerte.

No instale la secadora de mano en las ZONAS DE PELÍGRO 0, 1 ó 2 (ver diagrama en la parte superior derecha). Si lo hace, puede que la unidad sea salpicada con agua, lo cual podría resultar en lesiones personales graves o la muerte.



- 0 ZONA DE PELÍGRO: no instale la unidad dentro de bañeras, duchas o lavabos.
- 1 ZONA DE PELÍGRO: no instale directamente sobre bañeras o duchas.
- 2 ZONA DE PELÍGRO: no instale dentro de una distancia de 24" de bañeras o duchas.
- 3 SAFE AREA: la unidad debe ser instalada en este área, fuera de las ZONAS DE PELIGRO 2, 1 y 0.



- Antes de montar la unidad a la pared, asegúrese de que se cumplan todas las distancias mínimas por motivos de seguridad y rendimiento.







INSTALACIÓN

MONTAR LA UNIDAD

- ▶ La unidad debe ser instalada al menos 5" de paredes perpendiculares.
- ▶ La unidad debe ser instalada al menos 12" sobre mostradores para evitar salpicar la unidad.
- ▶ Asegúrese de que la salida de aire no esté obstruída.

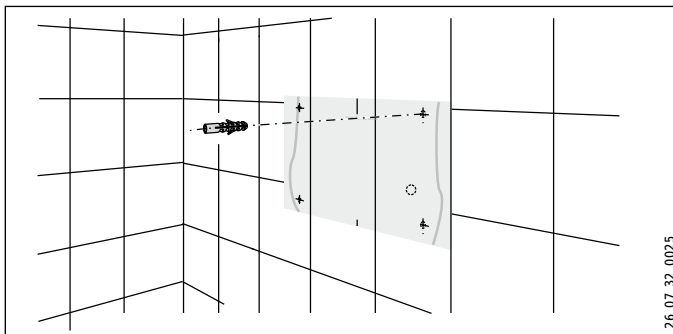
7. Montar la unidad

7.1 Alturas de montaje recomendadas

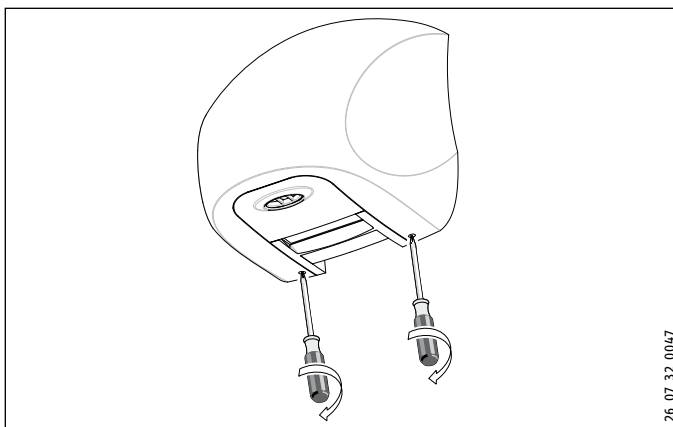
Edad	Edad	Altura
		
Hombre adulto		54" (1350 mm)
		
Mujer adulta		48" (1250 mm)
		
Preescuela / Kindergarten	3 - 5	32" (810 mm)
		
Escuela primaria	6 - 10	36" (910 mm)
		
Escuela intermedia	10 - 13	44" (1120 mm)
		
Escuela secundaria	13 - 18	48" (1250 mm)

7.2 Montaje en pared

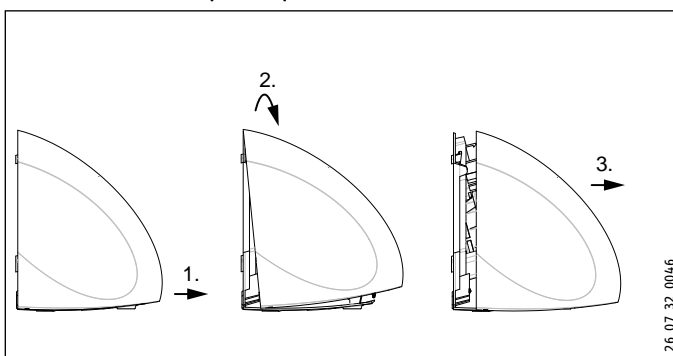
- ▶ Transfiera los cuatro puntos de montaje a la pared utilizando el modelo para perforar agujeros con un taladro (vea dibujo, superior derecha).



- ▶ Gire los 2 tornillos de seguridad una vuelta hacia la derecha hasta que se detengan por completo.

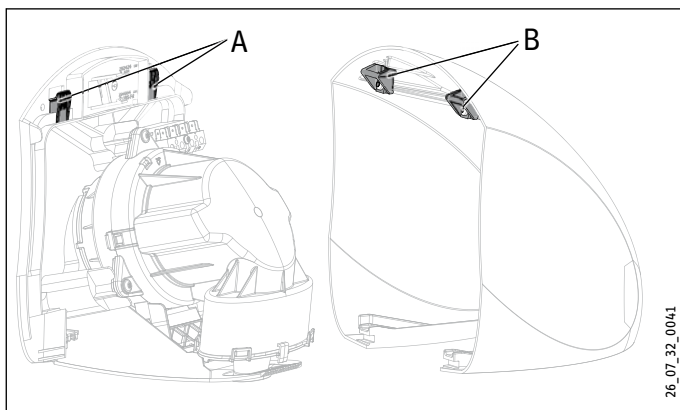


- ▶ Remueva la cobertura levantando suavemente hacia arriba desde la parte inferior. Esto permitirá que los ganchos se desprendan de los ojales de sujeción (vea A, B, a continuación). Una vez que los ganchos se han desprendido, tire de la tapa suavemente hacia delante para quitarla.



INSTALACIÓN

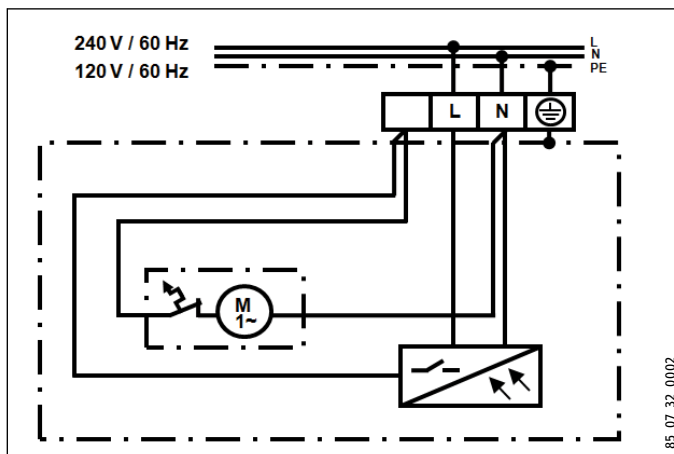
CONEXIONES ELÉCTRICAS



A) Ganchos

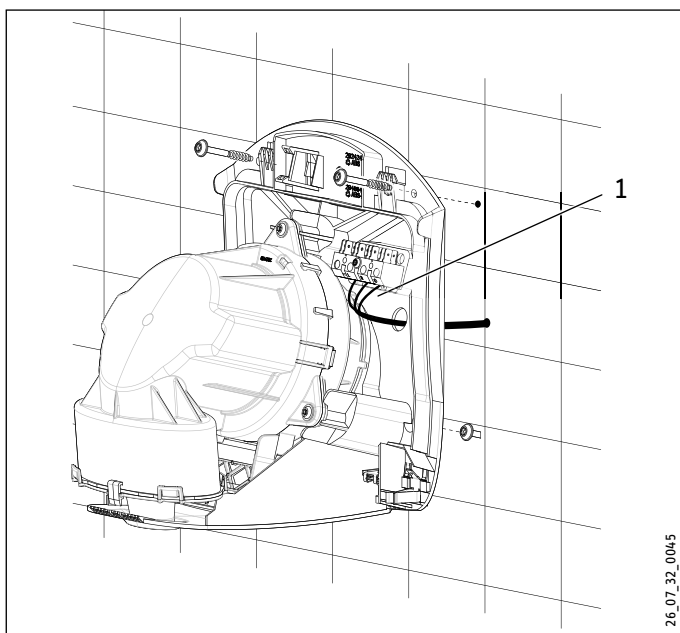
B) Ojales de sujeción

26_07_32_0041



85_07_32_0002

8. Conexiones eléctricas

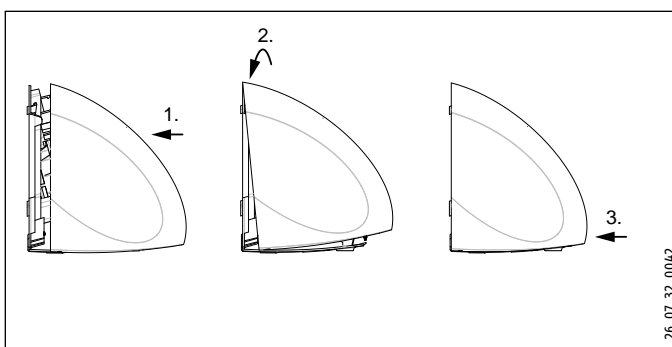


26_07_32_0045

1 Bloque de cableado

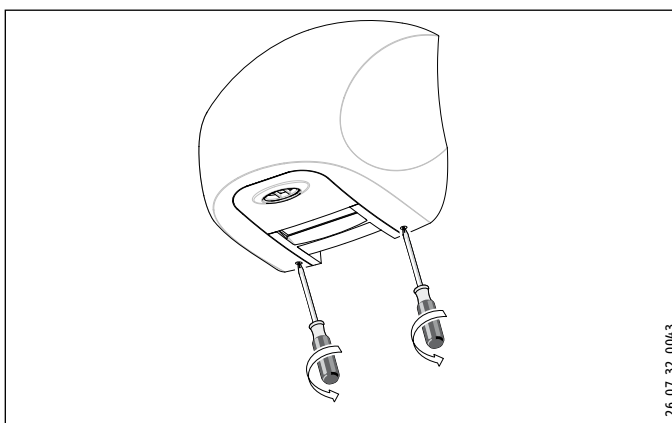
- ▶ Instale un conector eléctrico de 1/2" en la parte posterior del alojamiento en el orificio situado debajo del bloque de cableado (1, arriba).
- ▶ Pase los cables a través del conector, apriete la abrazadera sobre el cable.
- ▶ Los cables "vivos" deben estar conectados a las ranuras del terminal marcadas con N / L y L. El cable de tierra debe estar conectado a la ranura en el terminal marcada con el símbolo de tierra.

- ▶ Ponga la cubierta en la parte frontal de la unidad de nuevo.
- ▶ Levante para volver a encajar los ganchos en los ojales de sujeción.
- ▶ Presione la cubierta hacia abajo suavemente para que encaje en su lugar.



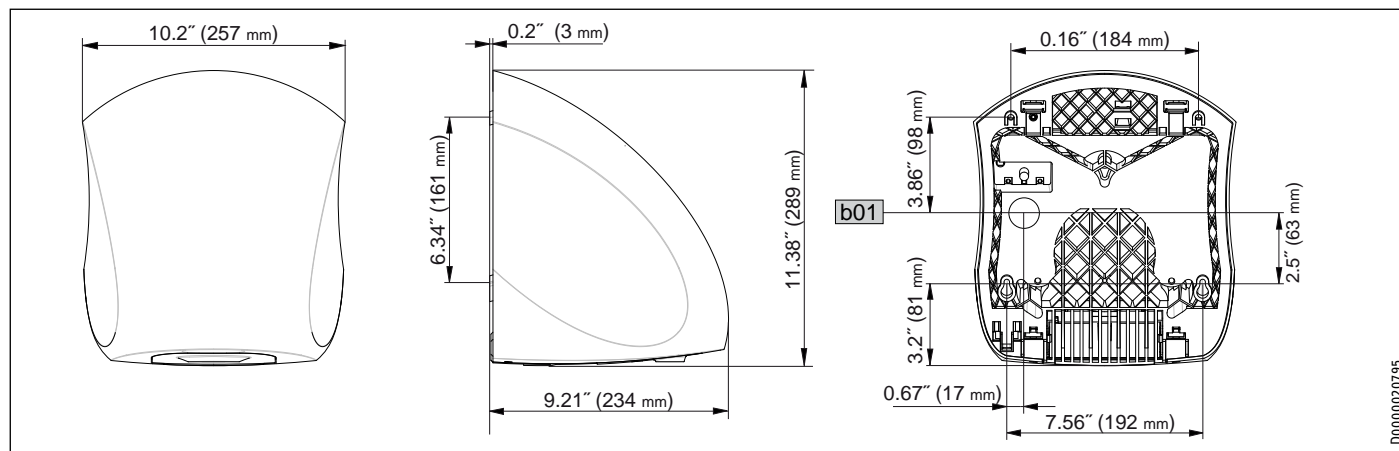
26_07_32_0042

- ▶ Gire los 2 tornillos de seguridad una vuelta hacia la derecha hasta que se detengan por completo.



26_07_32_0043

9. Dimensiones



10. Datos técnicos

Modelo	Ultronic™ 1 S	Ultronic™ 1 W	Ultronic™ 2 S	Ultronic™ 2 W
Núm. de artículo	231584	231585	231586	231587
Datos Eléctricos				
Fase	singular	singular	singular	singular
Voltaje	120 v	120 v	208 v 240 v	208 v 240 v
Vatios	985 w	985 w	775 w 1000 w	775 w 1000 w
Amperaje	8.5 A	8.5 A	3.85 A 4.3 A	3.85 A 4.3 A
Interruptor auto. # requerido	15 A			
Calibre de alambre	#14 AWG COBRE			
Dimensiones				
Altura	11.4" / 289 mm			
Anchura	10.1" / 257 mm			
Profundidad	9.2" / 234 mm			
Peso				
Peso	9.7 lb. / 4.4 kg			
Construcción				
Color	Acero inoxidable	Blanco alpino	Acero inoxidable	Blanco alpino
Cubierta	aluminio			
Grado de Protección (IP)	IP 23			
Sistema de clase de seguridad	I			
Otra información				
Nivel de sonido	82 dB(A)			
Velocidad de aire	210 mph / 94 m/s			
Volumen de aire	170.7 CFM / 190 m³/h			
Tiempo en secar	15 seconds			

11. Garantía

GARANTÍA RESIDENCIAL Y COMERCIAL: STIEBEL ELTRON GARANTIZA AL PROPIETARIO ORIGINAL QUE EL SECADOR DE MANOS AUTOMÁTICO SIN CONTACTO SERIE ULTRONIC ESTÉ LIBRE DE DEFECTOS DE MANO DE OBRA Y MATERIALES POR UN PERIODO DE TRES (3) AÑOS A PARTIR DE LA FECHA DE COMPRA. SI LA(S) PARTE(S) RESULTA DEFECTUOSA BAJO USO NORMAL DURANTE ESTE PERIODO, STIEBEL ELTRON, INC SE HACE RESPONSABLE DEL REEMPLAZO DE LA(S) PARTE(S) DEFECTIVA(S) SOLAMENTE. STIEBEL ELTRON, Inc. NO SE HACE RESPONSABLE DE COSTOS LABORALES PARA REMOVER Y / O REEMPLAZAR LA(S) PIEZA(S) DEFECTUOSA(S), O CUALQUIER OTRO GASTO ACCIDENTAL O CONSECUENTE.

SI EL DUEÑO QUIERE DEVOLVER EL SECADOR DE MANOS PARA LA REPARACIÓN, EL DUEÑO DEBE OBTENER UNA AUTORIZACIÓN POR ESCRITO DE STIEBEL ELTRON, INC Y ESTAR PREPARADO PARA COMPROBAR LA FECHA DE COMPRA Y PARA PAGAR TODOS LOS GASTOS DE TRANSPORTE PARA DEVOLVER LA(S) PIEZA(S) DEFECTUOSA(S) O EL SECADOR DE MANOS PARA LA REPARACIÓN O SUSTITUCIÓN. LA GARANTÍA ES NULA SI EL SECADOR DE MANOS HA SIDO INSTALADO O USADO MAL O SI EL DISEÑO HA SIDO ALTERADO DE ALGUNA MANERA.

12. Ambiente y reciclaje

Por favor ayúdenos a proteger el ambiente. Deshágase del aparato y su material de empaque de acuerdo a los reglamentos nacionales.

STIEBEL ELTRON, INC.
17 West Street
West Hatfield, MA 01088, USA
TELÉFONO: 800-582-8423 or 413-247-3380
FAX: 413-247-3369
Correo electrónico:
info@stiebel-eltron-usa.com
www.stiebel-eltron-usa.com

MODE D'EMPLOI

1.	Directives importantes	21
1.1	Légende des symboles	21
1.2	Symboles dans ce document	22
2.	Mesures de précaution relatives à la sécurité	22
3.	Inscrivez votre produit	23
4.	Directives pour l'utilisateur	23
4.1	Généralités sur l'utilisation	23
4.2	Directives pour l'entretien par l'utilisateur	23

INSTALLATION

5.	Directives d'installation pour l'installateur agréé	24
6.	Distances minimales	24
7.	Fixation de l'appareil	25
7.1	Hauteurs suggérées pour la fixation	25
7.2	Fixation au mur	25
8.	Connexions électriques	26
9.	Dimensions	27
10.	Données techniques	27
11.	Garantie	28
12.	Environnement et recyclage	28
13.	Gabarit pour la fixation au mur	29


1. Directives importantes

Veillez lire ce manuel dans son intégralité. Le non-respect des directives contenues dans les guides, les directives et les règlements pourrait entraîner des dégâts matériels ou des blessures. Des installations, réglages, modifications, entretiens et utilisations non conformes de cet appareil pourraient provoquer des blessures graves.

Cet appareil doit être installé par un électricien et un plombier agréés. L'installation doit se faire conformément aux codes de l'électricité et de la plomberie en vigueur au niveau national, provincial et local. Il incombe à l'installateur de veiller à ce que l'installation soit faite correctement. Le non-respect des directives d'installation et du mode d'emploi, ou une utilisation incorrecte aura pour effet d'annuler la garantie.

» Conserver ces instructions pour consultation ultérieure. L'installateur doit laisser ces instructions au consommateur.

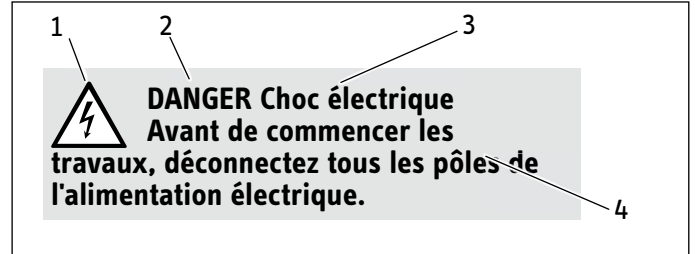
Pour toute question relative à l'installation, l'utilisation ou le fonctionnement de ce séchoir de mains, ou si vous avez besoin de manuels d'installation supplémentaire, veuillez vous adresser à notre service technique en composant le (800) 582-8423 (Canada et États-Unis uniquement). Si vous appelez depuis un pays autre que le Canada ou les États-Unis, veuillez composer le +1 413-247-3380 et nous vous donnerons les coordonnées d'un représentant de l'entretien agréé de Stiebel Eltron dans votre région.

 **Symbole d'alerte à la sécurité. Il sert à vous avertir qu'il existe un danger de blessure potentiel. Respectez tous les messages relatifs à la sécurité mentionnés après ce symbole pour éviter la possibilité de blessure, voire de décès.**

Le chapitre **Mode d'emploi** est à l'attention des propriétaires de résidences, des entrepreneurs de chauffage, des plombiers et des électriciens. Le chapitre **Installation** est à l'attention exclusive des entrepreneurs de chauffage, des plombiers et des électriciens.





1.1 Légende des symboles

1.1.1 Présentation des informations relatives à la sécurité



- 1 Symbole (voir 1.1.2 « Symboles »)
- 2 Mot clé (voir 1.1.3 « Mots clés »)
- 3 Désignations (voir 1.1.2 « Symboles »)
- 4 Explications

1.1.2 Symboles

Symbole	Description
	Blessure
	Électrocution
	Brûlures ou échaudures
	Autres situations

1.1.3 Mots clés

MOT CLÉ	Description
DANGER	Le mot clé : Danger signale qu'il faut respecter les informations données, faute de quoi on risque des blessures graves, voire mortelles.
AVERTISSEMENT	Le mot clé : Avertissement signale qu'il faut respecter les informations données, faute de quoi on pourrait provoquer des blessures graves, voire mortelles.
ATTENTION	Le mot clé : Attention signale qu'il faut respecter les informations données, faute de quoi on risque de provoquer des blessures légères, voire relativement graves.

1.2 Symboles dans ce document

» Ce symbole (▶) indique qu'il faut agir. Les mesures à prendre sont indiquées de manière très détaillée.



Généralités

Icone indiquant une généralité.

» Veuillez lire et respecter particulièrement toutes les remarques générales.

2. Mesures de précaution relatives à la sécurité



Veuillez lire et respecter ces instructions.

Le non-respect de ces instructions pourrait entraîner des blessures graves, voire mortelles

Il n'y a aucune pièce pouvant être réparée par l'utilisateur. Confiez l'entretien de cet appareil à des techniciens d'entretien agréés.

AVERTISSEMENT – POUR RÉDUIRE LE RISQUE D'INCENDIE, DE CHOC ÉLECTRIQUE OU DE BLESSURES, RESPECTEZ LES DIRECTIVES SUIVANTES:

a) Utilisez l'appareil conformément à l'usage prévu par le fabricant. En cas de questions, contactez le fabricant.

b) Avant d'effectuer l'entretien ou le nettoyage de l'appareil, coupez l'alimentation électrique au panneau de service et bloquez le dispositif de déconnexion pour entretien afin d'éviter que l'appareil ne soit réactivé par inadvertance. Si ce dispositif de déconnexion pour entretien ne peut pas être bloqué, fixez de façon sécuritaire un dispositif d'avertissement bien en vue, comme une étiquette, au panneau de service.



AVERTISSEMENT

Pour minimiser le risque d'incendie ou de choc électrique, n'utilisez pas ce séchoir de mains de concert avec une commande de vitesse à semi-conducteur.



DANGER Électrocution

Avant de procéder à toute opération d'installation, de réglage, de modification ou d'entretien de cet appareil, coupez tous les disjoncteurs et les interrupteurs de sectionnement. Le non-respect de cette directive pourrait entraîner des blessures graves, voire mortelles.



DANGER Électrocution

Ne retirez jamais le couvercle de l'appareil à moins d'avoir coupé l'alimentation électrique de l'appareil. Le non-respect de cette directive pourrait entraîner des blessures graves, voire mortelles.



DANGER Électrocution

Cet appareil doit être mis à la terre correctement. Le non-respect des procédures correctes de mise à la terre pourrait entraîner des blessures graves, voire mortelles.



AVERTISSEMENT Blessure

Lorsque des enfants ou des personnes aux capacités physiques, sensorielles ou mentales limitées sont autorisés à utiliser cet appareil, veillez à ce qu'ils soient sous la surveillance d'une personne responsable de leur sécurité ou qu'on leur ait expliqué le fonctionnement de manière approprié. Veillez à surveiller les enfants pour vous assurer qu'ils ne jouent pas avec cet appareil.

GÉNÉRALITÉS

INSCRIVEZ VOTRE PRODUIT



AVERTISSEMENT Incendie
N'utilisez jamais cet appareil ...

- dans des pièces où l'appareil pourrait s'enflammer ou exploser du fait du contact avec des produits chimiques, de la poussière, des gaz ou des vapeurs.
- à proximité directe de conduites ou de conteneurs transportant ou contenant des produits inflammables ou explosifs.
- si l'on exécute des travaux de pose de câbles, de fraisage ou de pose de mastic d'étanchéité dans la pièce d'installation.
- si l'on utilise des vaporisateurs, de l'encaustique ou des produits du même genre contenant du pétrole. Aérez suffisamment la pièce avant d'utiliser l'appareil.
- si une pièce de l'appareil est endommagée, s'il est tombé ou s'il présente déjà un vice.

3. Inscrivez votre produit



Vous devez inscrire votre produit dans les trois mois qui suivent la date d'achat sur notre site internet pour activer la garantie normale ou pour pouvoir réclamer la garantie prolongée. Allez à notre site internet à l'adresse suivante : www.stiebel-eltron-usa.com et cliquez sur **inscrivez votre produit**.

Avant de lancer le processus d'inscription, nous vous conseillons d'avoir à portée de main la documentation nécessaire, à savoir :

Type, Exemple : Ultronic 1 S (sur l'étiquette noire qui se trouve sur la partie inférieure de l'appareil)
Numéro apparaissant après « Nr. » (N°)

Lieu d'achat

Date d'achat

Prénom et nom de famille

Adresse courriel

Adresse courriel

Numéro de téléphone

EN CAS DE QUESTIONS À PROPOS DU PROCESSUS D'INSCRIPTION OU DES OPTIONS POUR LA GARANTIE, VEUILLEZ CONTACTER STIEBEL ELTRON USA DIRECTEMENT EN COMPOSANT LE (800) 582-8423.

Garantie à responsabilité limitée :

Stiebel Eltron, Inc. ne peut être tenue responsable des dommages apportés à l'appareil, des dommages aux biens personnels, des blessures ou de cas de décès provoqués par les conditions suivantes :

- le non-respect de ces directives
- utilisation incorrecte
- installation de l'appareil par un personnel non agréé
- modifications non autorisées
- modifications techniques
- utilisation de pièces de rechange non approuvées

4. Directives pour l'utilisateur

4.1 Généralités sur l'utilisation

Pour vous sécher les mains de manière la plus efficace, veuillez procéder comme suit :

- » Égouttez les mains en les secouant au-dessus du lavabo
- » Mettez les mains sous l'appareil à environ 10 à 18 cm
- » Frottez les mains comme si vous les laviez

Vos mains seront sèches en 15 secondes environ.

Les sèche-mains de la série Ultronic de Stiebel Eltron sont équipés d'un capteur déclencheur infrarouge. Ce capteur active l'appareil lorsque les mains sont placées en dessous. L'appareil s'éteint automatiquement environ sept secondes après que vous ayez retiré vos mains.

Le capteur est un rectangle noir situé sous l'appareil entre la sortie d'air et les grilles d'admission de l'air. Le capteur déclencheur ne fonctionne pas correctement s'il est recouvert de saleté ou de gomme. S'il est bouché, le sèche-mains va se désactiver automatiquement pour empêcher qu'il ne marche sans interruption.

4.2 Directives pour l'entretien par l'utilisateur



Le sèche-mains Ultronic n'a aucune pièce pouvant être réparée par une personne non formée. En cas de mauvais fonctionnement, veuillez contacter un électricien agréé.



ATTENTION Incendie
Ne vaporisez jamais un produit nettoyant en aérosol dans la fente d'admission de l'air. Veillez à ce qu'aucune trace d'humidité ne pénètre dans l'appareil.

Pour nettoyer le boîtier, utilisez un chiffon doux imbibé de détergent doux, le cas échéant. N'utilisez jamais de produits nettoyants abrasifs car ils abîmeraient la finition de l'appareil. Ne vaporisez jamais de l'eau ou des liquides nettoyants directement sur le sèche-mains.

mains. Lorsque vous nettoyez l'appareil, veuillez à ce que l'interrupteur à cellule photo-électrique ne soit pas recouvert.

5. Directives d'installation pour l'installateur agréé

AVERTISSEMENT : POUR RÉDUIRE LE RISQUE D'INCENDIE, DE CHOC ÉLECTRIQUE OU DE BLESSURES, RESPECTEZ LES DIRECTIVES SUIVANTES:

a) Les travaux d'installation et le câblage électrique doivent être exécutés par une ou plusieurs personnes qualifiées conformément à tous les codes et réglementations en vigueur, y compris ceux relatifs aux travaux de construction à indice de résistance au feu.

b) Lorsque vous ouvrez ou percez les cloisons ou le plafond, n'endommagez pas le câblage électrique et les autres conduites cachées.

DANGER Électrocution
N'installez pas cet appareil là où il pourrait être éclaboussé d'eau par inadvertance. Le non-respect de cette directive pourrait entraîner des blessures graves, voire mortelles.

WARNING Électrocution
N'installez pas cet appareil là où il pourrait être éclaboussé d'eau par inadvertance. Le non-respect de cette directive pourrait entraîner des blessures graves, voire mortelles.

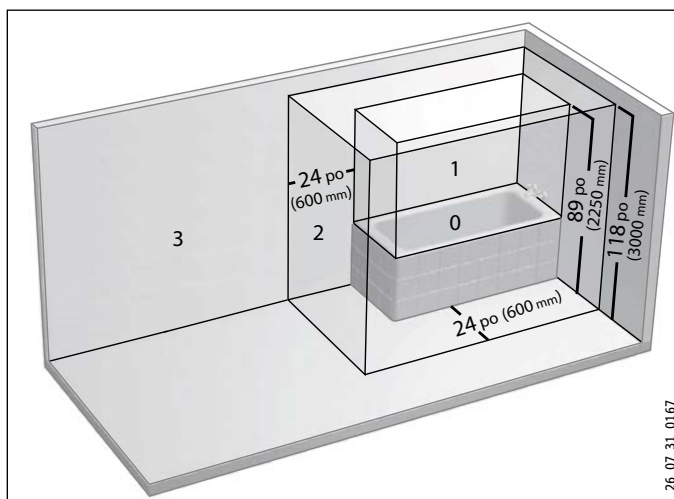
Tous les travaux électriques doivent se faire conformément aux codes de l'électricité en vigueur au niveau provincial et local.

Le circuit doit être équipé d'un « disjoncteur de fuite à la terre » lorsque cela est exigé par les codes électriques en vigueur au niveau national, provincial ou local. Le sèche-mains Ultronic doit posséder son propre circuit séparé avec un câble aux dimensions appropriées protégé par un disjoncteur calibré correctement. Les appareils Ultronic 1 S/W sont conçus pour une alimentation électrique de 110 à 120 volts et exigent un disjoncteur de 15 ampères et un fil de cuivre de gauge n°14. Les appareils Ultronic 2 S/W sont conçus pour une alimentation électrique de 220 à 240 volts (ou 208 volts) et exigent un disjoncteur de 15 ampères et un fil de cuivre de gauge n°14.

6. Distances minimales

AVERTISSEMENT Électrocution
N'installez pas cet appareil là où il pourrait être éclaboussé d'eau par inadvertance. Respectez toutes les exigences en termes de distances minimales. Le non-respect de cette directive pourrait entraîner des blessures graves, voire mortelles.

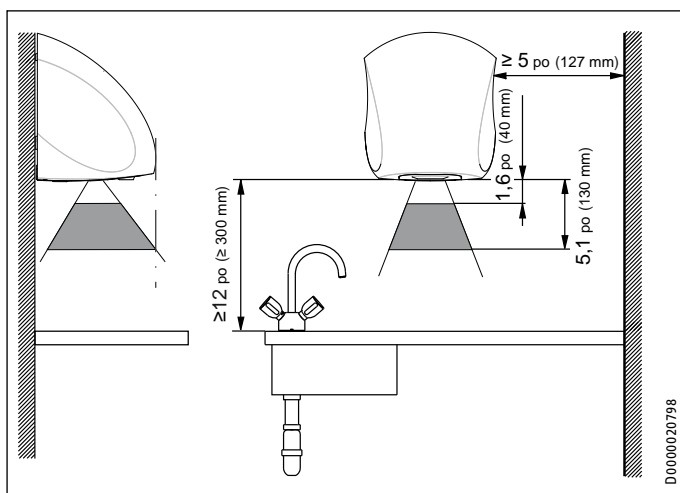
N'installez pas cet appareil dans les zones dangereuses 0, 1 ou 2 (voir le schéma en haut à droite) où l'appareil pourrait être éclaboussé par l'eau, ce qui pourrait entraîner des blessures graves, voire mortelles.



- 0 ZONE DANGEREUSE : N'installez pas l'appareil dans les douches de baignoire, ni dans les lavabos.
- 1 ZONE DANGEREUSE : N'installez pas l'appareil directement au-dessus des baignoires ou des douches.
- 2 ZONE DANGEREUSE : N'INSTALLEZ PAS L'APPAREIL À MOINS DE 600 MM DES BAIGNOIRES OU DES DOUCHES.
- 3 ZONE SÉCURITAIRE : L'appareil doit être installé dans cette zone-là, en dehors des zones dangereuses 2, 1 et 0.

INSTALLATION





FIXATION DE L'APPAREIL



- » Avant de fixer l'appareil au mur veillez à ce que toutes les distances minimales sont respectées pour des raisons de sécurité et de performance.
- » L'appareil doit être installé à au moins 127 mm des murs perpendiculaires.
- » L'appareil doit être installé à au moins 305 mm au-dessus des plans de travail pour éviter de l'éclabousser.
- » Veuillez à ce que la sortie d'air ne soit pas bloquée.

7. Fixation de l'appareil

7.1 Hauteurs suggérées pour la fixation

Âge	Âge	Hauteur
		
Homme adulte		54 po (1350 mm)
		
Femme adulte		48 po (1250 mm)
		
Préscolaire / Maternelle	3 - 5	32 po (810 mm)
		
Primaire	6 - 10	36 po (910 mm)



Secondaire

premier cycle _____ 10 - 13 _____ 44 po (1120 mm)

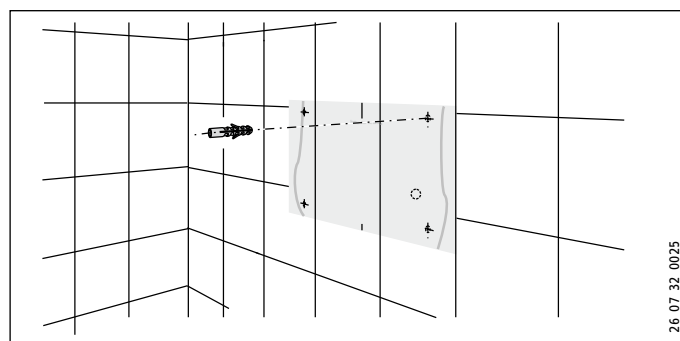


Lycée

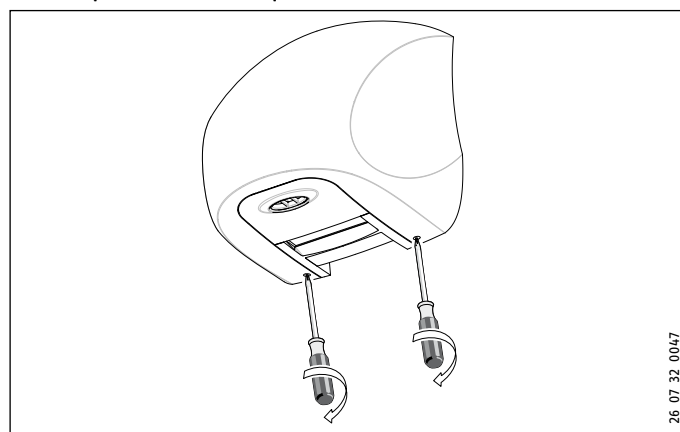
_____ 13 - 18 _____ 48 po (1250 mm)

7.2 Fixation au mur

- » Transférez les quatre points de fixation sur le mur à l'aide du gabarit de perçage ci-joint et percez les trous de fixation (voir le dessin, en haut à droite).



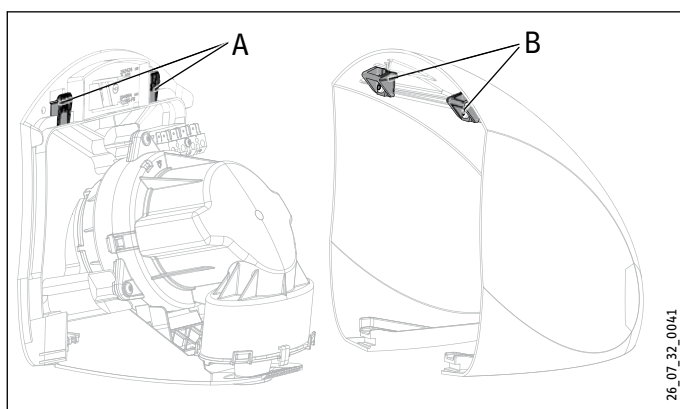
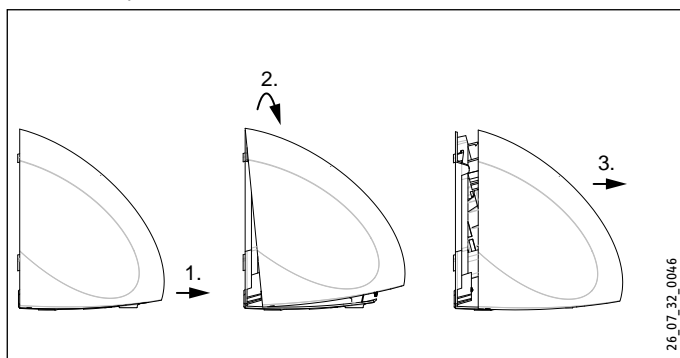
- » Tournez les deux vis de blocage d'un tour dans le sens horaire jusqu'à ce qu'elles soient complètement bloquées.



INSTALLATION

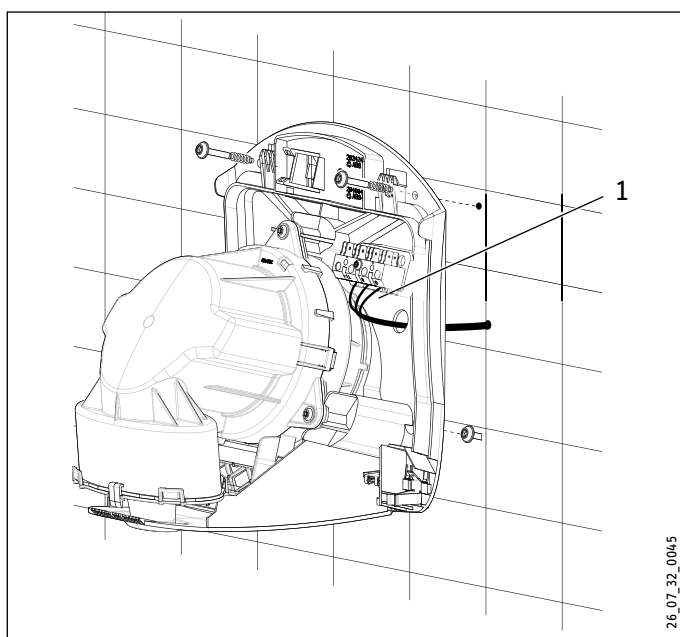
CONNEXIONS ÉLECTRIQUES

- » Retirez le boîtier en le soulevant délicatement vers le haut en partant du fond. Ceci permet aux crochets de se désengager des œillets de fixation (voir A, B, ci-dessous). Une fois que les crochets sont détachés, tirez délicatement le couvercle vers l'avant pour le retirer.



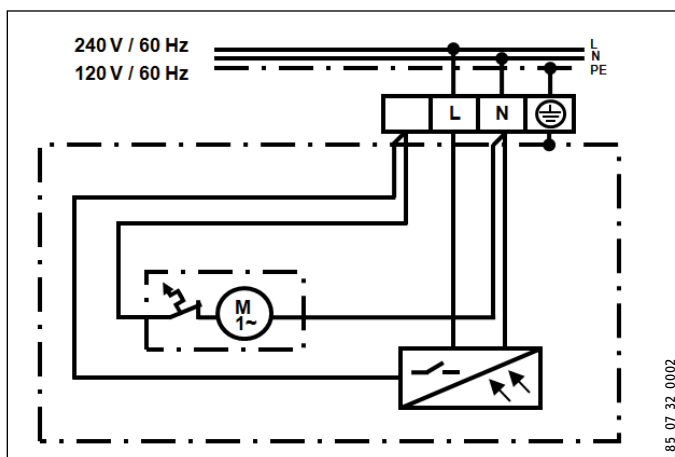
A) Crochets B) Œillets de fixation

8. Connexions électriques

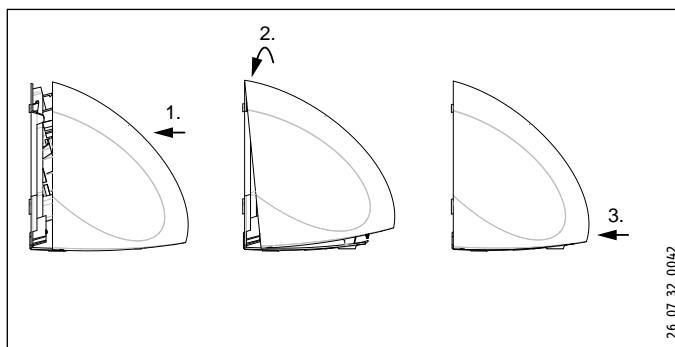


1 Bloc de câblage

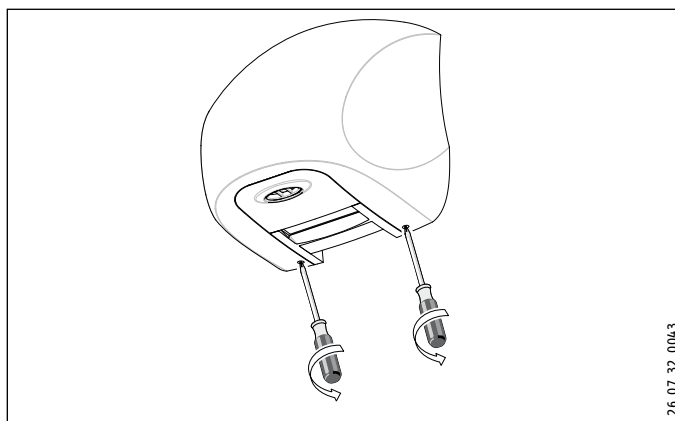
- » Installez un connecteur électrique 1/2 po dans la partie arrière du boîtier dans le trou situé au-dessous du bloc de câblage (1, ci-dessous).
- » Faites passer les câbles par le connecteur, serrez le câble en le pinçant.
- » Les fils « sous tension » doivent être connectés aux fentes de la borne indiquées n/l et l. Le fil de terre doit être connecté à la fente de la borne indiquée avec le symbole de mise à la terre.



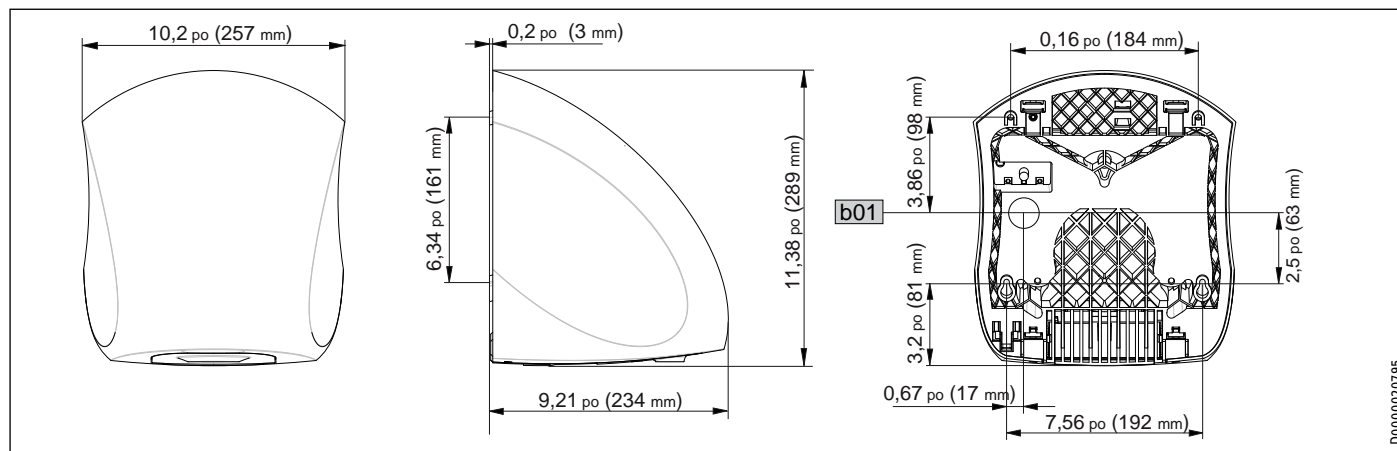
- » Remettez le boîtier sur l'avant de l'appareil.
- » Soulevez pour réengager les crochets dans les œillets de fixation.
- » Appuyez délicatement le boîtier vers le bas pour qu'il s'enclenche en place.



- » Vissez les deux vis d'un tour complet antihoraire jusqu'à l'arrêt complet.



9. Dimensions



10. Données techniques

N° de modèle	Ultronic™ 1 S	Ultronic™ 1 W	Ultronic™ 2 S	Ultronic™ 2 W
Article n°	231584	231585	231586	231587
Configuration électrique				
Phase	monophasé	monophasé	monophasé	monophasé
Tension	120 v	120 v	208 v 240 v	208 v 240 v
Puissance	985 w	985 w	775 w 1000 w	775 w 1000 w
Intensité	8,5 A	8,5 A	3,85 A 4,3 A	3,85 A 4,3 A
Taille minimale exigée du disjoncteur	15 A			
Taille minimale exigée du câble	Cuivre n° 14 AWG			
Dimensions				
Hauteur	11,4 po / 289 mm			
Largeur	10,1 po / 257 mm			
Profondeur	9,2 po / 234 mm			
Poids				
Poids	9,7 lb / 4,4 kg			
Construction				
Couleur	Acier inoxydable	Blanc alpin	Acier inoxydable	Blanc alpin
Boîtier	Aluminium			
Indice de protection (IP)	IP 23			
Système de catégorie de sécurité	I			
Autre				
Niveau sonore	82 dB(A)			
Vitesse de l'air	210 mi/h / 94 m/s			
Air volume	170,7 Pi³/MIN / 190 m³/h			
Temps de séchage	15 secondesvv			

11. Garantie

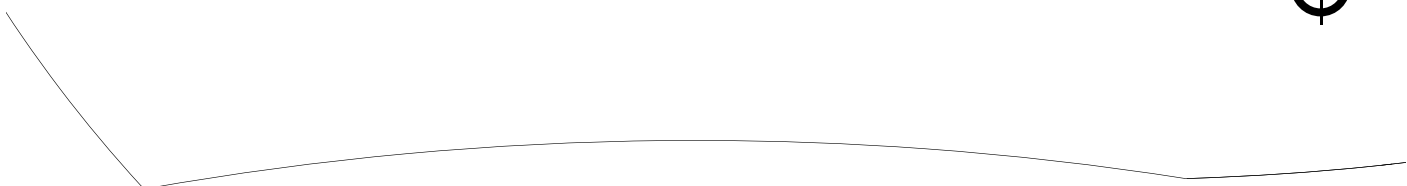
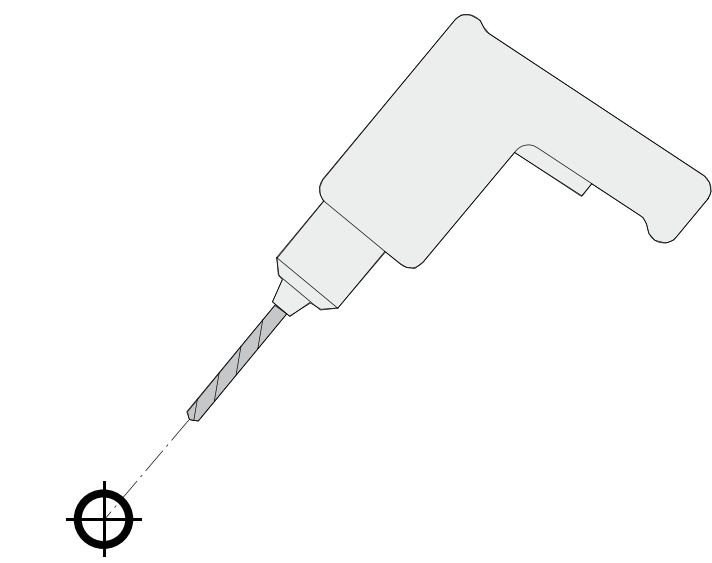
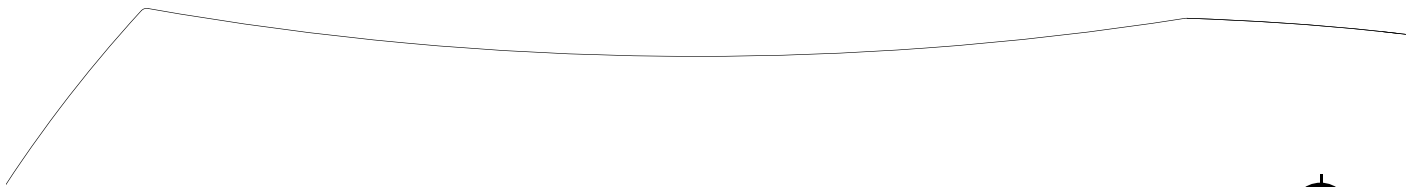
GARANTIE RÉSIDENIELLE ET COMMERCIALE : STIEBEL ELTRON, INC. GARANTIT LE SÉCHOIR DE MAINS SANS CONTACT DE LA SÉRIE ULTRONIC CONTRE TOUT VICE DE FABRICATION ET DE MATÉRIEL AU PROPRIÉTAIRE INITIAL PENDANT UNE PÉRIODE DE TROIS (3) ANS À PARTIR DE LA DATE D'ACHAT. SI UNE PIÈCE QUELCONQUE S'AVÈRE DÉFECTUEUSE PENDANT CETTE PÉRIODE, DANS DES CONDITIONS D'UTILISATION NORMALE, STIEBEL ELTRON, INC. S'ENGAGE À REMPLACER CETTE PIÈCE (OU CES PIÈCES, LE CAS ÉCHÉANT) UNIQUEMENT. STIEBEL ELTRON, INC. N'ASSUME AUCUNE RESPONSABILITÉ POUR LES FRAIS DE MAIN D'ŒUVRE ENCOURUS POUR LE RETRAIT OU LE REMPLACEMENT DE LA PIÈCE DÉFECTUEUSE, NI POUR TOUT AUTRE FRAIS FORTUIT OU CONSÉCUTIF.

SI LE PROPRIÉTAIRE DÉSIRAIT RETOURNER LE SÉCHOIR DE MAINS POUR QU'IL SOIT RÉPARÉ, IL DOIT D'ABORD OBTENIR L'AUTORISATION EXPRESSE DE STIEBEL ELTRON, INC. LE PROPRIÉTAIRE DOIT ENSUITE APPORTER LA PREUVE DE LA DATE D'ACHAT ET PAYER TOUS LES FRAIS DE PORT POUR RENVOYER LA PIÈCE DÉFECTUEUSE OU LE SÉCHOIR DE MAINS POUR QU'IL SOIT RÉPARÉ OU REMPLACÉ. UNE INSTALLATION OU UNE UTILISATION ERRONÉE DU SÉCHOIR DE MAINS OU TOUTE MODIFICATION DE LA CONCEPTION AURONT POUR EFFET D'ANNULER LA GARANTIE.

12. Environnement et recyclage

Veillez nous aider à protéger l'environnement.
Veillez mettre cet appareil et son emballage au rebut conformément à la législation nationale.

STIEBEL ELTRON, INC.
17 West Street
West Hatfield, MA 01088, USA
Tél. : 800-582-8423 ou 413-247-3380
Télécopie : 413-247-3369
Courriel info@stiebel-eltron-usa.com
www.stiebel-eltron-usa.com



NOTES

Deutschland

STIEBEL ELTRON GmbH & Co. KG
Dr.-Stiebel-Straße | 37603 Holzminden
Tel. 05531 702-0 | Fax 05531 702-480
info@stiebel-eltron.de
www.stiebel-eltron.de

Verkauf

Tel. 0180 3 700705* | Fax 0180 3 702015* | info-center@stiebel-eltron.de

Kundendienst

Tel. 0180 3 702020* | Fax 0180 3 702025* | kundendienst@stiebel-eltron.de
Tel. 05531 702-90015

Ersatzteilverkauf

Tel. 0180 3 702030* | Fax 0180 3 702035* | ersatzteile@stiebel-eltron.de
Tel. 05531 702-90050

Vertriebszentren

Tel. 0180 3 702010* | Fax 0180 3 702004*

* 0,09 €/min bei Anrufen aus dem deutschen Festnetz. Maximal 0,42 €/min bei Anrufen aus Mobilfunknetzen.

Austria

STIEBEL ELTRON Ges.m.b.H.
Eferdinger Str. 73 | 4600 Wels
Tel. 07242 47367-0 | Fax 07242 47367-42
info@stiebel-eltron.at
www.stiebel-eltron.at

Belgium

STIEBEL ELTRON bvba/sprl
't Hofveld 6 - D1 | 1702 Groot-Bijgaarden
Tel. 02 42322-22 | Fax 02 42322-12
info@stiebel-eltron.be
www.stiebel-eltron.be

Czech Republic

STIEBEL ELTRON spol. s r.o.
K Hájem 946 | 155 00 Praha 5 - Stodůlky
Tel. 251116-111 | Fax 235512-122
info@stiebel-eltron.cz
www.stiebel-eltron.cz

Denmark

Pettinaroli A/S
Mandal Allé 21 | 5500 Middelfart
Tel. 06341 666-6 | Fax 06341 666-0
info@pettinaroli.dk
www.stiebel-eltron.dk

Finland

Insinööritoimisto Olli Andersson Oy
Kapinakuja 1 | 04600 Mäntsälä
Tel. 020 720-9988 | Fax 020 720-9989
info@stiebel-eltron.fi
www.stiebel-eltron.fi

France

STIEBEL ELTRON SAS
7-9, rue des Selliers
B.P 85107 | 57073 Metz-Cédex 3
Tel. 0387 7438-88 | Fax 0387 7468-26
info@stiebel-eltron.fr
www.stiebel-eltron.fr

Hungary

STIEBEL ELTRON Kft.
Pacsirtamező u. 41 | 1036 Budapest
Tel. 01 250-6055 | Fax 01 368-8097
info@stiebel-eltron.hu
www.stiebel-eltron.hu

Japan

NIHON STIEBEL Co. Ltd.
Kowa Kawasaki Nishiguchi Building 8F
66-2 Horikawa-Cho
Saiwai-Ku | 212-0013 Kawasaki
Tel. 044 540-3200 | Fax 044 540-3210
info@nihonstiebel.co.jp
www.nihonstiebel.co.jp

Netherlands

STIEBEL ELTRON Nederland B.V.
Daviottenweg 36
5222 BH 's-Hertogenbosch
Tel. 073 623-0000 | Fax 073 623-1141
stiebel@stiebel-eltron.nl
www.stiebel-eltron.nl

Poland

STIEBEL ELTRON Polska Sp. z o.o.
ul. Działkowa 2 | 02-234 Warszawa
Tel. 022 60920-30 | Fax 022 60920-29
stiebel@stiebel-eltron.pl
www.stiebel-eltron.pl

Russia

STIEBEL ELTRON LLC RUSSIA
Urzhumskaya street 4,
building 2 | 129343 Moscow
Tel. 0495 7753889 | Fax 0495 7753887
info@stiebel-eltron.ru
www.stiebel-eltron.ru

Slovakia

TATRAMAT - ohrievače vody, s.r.o.
Hlavná 1 | 058 01 Poprad
Tel. 052 7127-125 | Fax 052 7127-148
info@stiebel-eltron.sk
www.stiebel-eltron.sk

Switzerland

STIEBEL ELTRON AG
Netzbodenstr. 23 c | 4133 Pratteln
Tel. 061 81693-33 | Fax 061 81693-44
info@stiebel-eltron.ch
www.stiebel-eltron.ch

Thailand

STIEBEL ELTRON Asia Ltd.
469 Moo 2 Tambol Klong-Jik
Amphur Bangpa-In | 13160 Ayutthaya
Tel. 035 220088 | Fax 035 221188
info@stiebeltronasia.com
www.stiebeltronasia.com

United Kingdom and Ireland

STIEBEL ELTRON UK Ltd.
Unit 12 Stadium Court
Stadium Road | CH62 3RP Bromborough
Tel. 0151 346-2300 | Fax 0151 334-2913
info@stiebel-eltron.co.uk
www.stiebel-eltron.co.uk

United States of America

STIEBEL ELTRON, Inc.
17 West Street | 01088 West Hatfield MA
Tel. 0413 247-3380 | Fax 0413 247-3369
info@stiebel-eltron-usa.com
www.stiebel-eltron-usa.com



Irrtum und technische Änderungen vorbehalten! | Subject to errors and technical changes! | Sous réserve d'erreurs et de modifications techniques! | Onder voorbehoud van vergissingen en technische wijzigingen! | Salvo error o modificación técnica! | Excepto erro ou alteração técnica | Zastrzeżone zmiany techniczne i ewentualne błędy! | Omyly a technické změny jsou vyhrazeny! | A muszaki változtatások és tévedések jogát fenntartjuk! | Отсутствие ошибок не гарантируется. Возможны технические изменения. | Chyby a technické zmeny sú vyhradené! Stand 8729

STIEBEL ELTRON

A 296655-36595-8732
B 296654-36528-8730